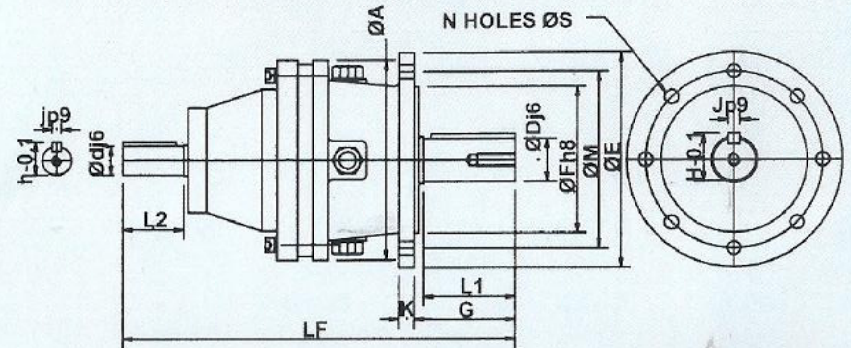
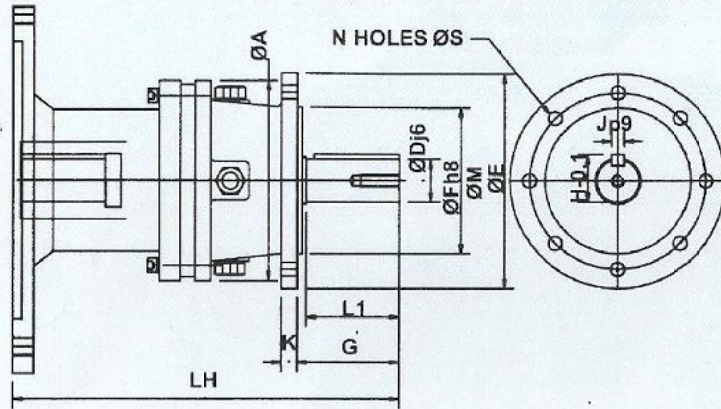


FLANGE MOUNTING HOLLOW INPUT SHAFT

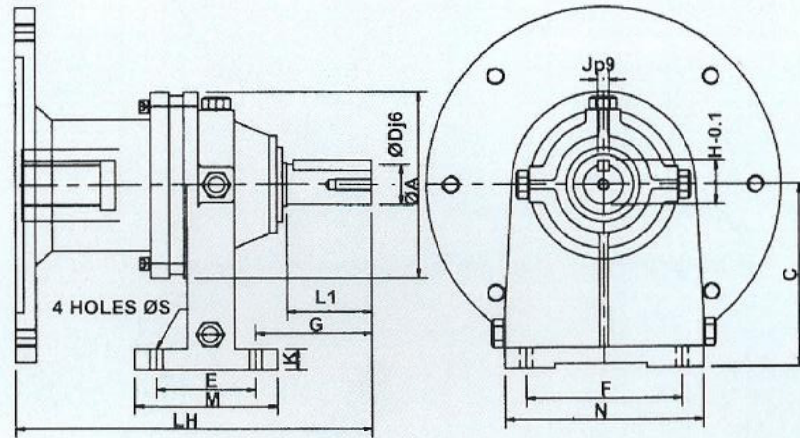
FLANGE MOUNTING FREE (SOLID) INPUT SHAFT

HOLLOW INPUT DIMENSIONS PLEASE SEE MOTOR MOUNTING DETAILS TABLES

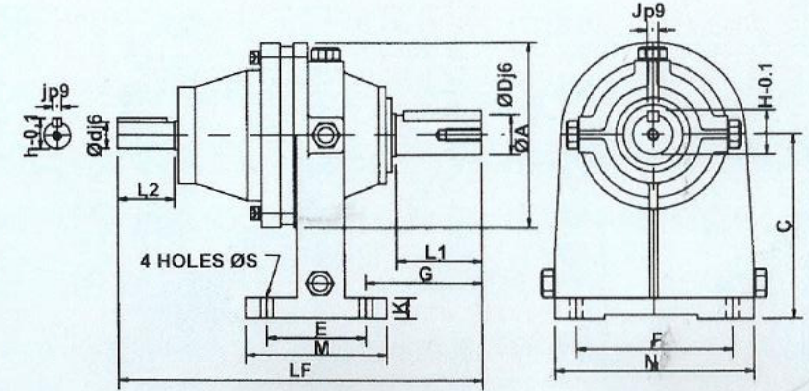


MODEL	FLANGE MOUNTING SOLID INPUT SHAFT												SINGLE STAGE					TWO STAGES					THREE STAGES					FOUR STAGES					FIVE STAGES				
	OUTPUT SHAFT						MOUNTING						SOLID INPUT SHAFT					SOLID INPUT SHAFT					SOLID INPUT SHAFT					SOLID INPUT SHAFT					SOLID INPUT SHAFT				
	ØDj6	L1	J	H	E	M	ØFh8	S	N	G	K	A	Ødj6	L2	j	h	LF	Ødj6	L2	j	h	LF	Ødj6	L2	j	h	LF	Ødj6	L2	j	h	LF	Ødj6	L2	j	h	LF
SU-01	19	30	6	21.5	85	68	55	10	4	35	10	80	14	30	5	16	178	14	30	5	16	194	14	30	5	16	210	14	30	5	16	226	14	30	5	16	242
SU-02	24	50	8	27	120	102	80	10	4	56	10	100	19	40	6	21.5	245	19	40	6	21.5	268	19	40	6	21.5	291	19	40	6	21.5	313	19	40	6	21.5	336
SU-03	28	60	8	31	140	115	95	10	8	66	10	130	24	50	8	27	267	24	50	8	27	294	19	40	6	21.5	312	19	40	6	21.5	335	19	40	6	21.5	358
SU-04	32	60	10	35	150	125	100	10	8	66	12	150	28	60	8	31	307	28	60	8	31	343	19	40	6	21.5	340	19	40	6	21.5	362	19	40	6	21.5	385
SU-05	38	80	10	41	180	150	120	12	8	87	12	180	32	60	10	35	359	32	60	10	35	407	24	50	8	27	413	24	50	8	27	440	19	40	6	21.5	458
SU-06	50	90	14	53.5	200	165	130	14	8	97	15	215	38	80	10	41	431	38	80	10	41	498	28	60	8	31	507	28	60	8	31	543	19	40	6	21.5	540
SU-07	60	95	18	64	230	200	170	14	8	103	15	235	42	90	12	45	472	42	90	12	45	544	32	60	10	35	547	32	60	10	35	595	24	50	8	27	601
SU-08	70	110	20	74	250	215	180	18	8	118	15	265	48	90	14	51.5	497	48	90	14	51.5	577	38	80	10	41	626	38	80	10	41	712	28	60	8	31	702
SU-09	80	120	22	85	300	265	240	18	8	128	20	305	55	120	16	59	589	55	120	16	59	675	42	90	12	45	686	42	90	12	45	757	32	60	10	35	761
SU-10	95	140	25	102	350	305	270	18	12	150	20	335	60	120	18	64	654	60	120	18	64	755	48	90	14	51.5	759	48	90	14	51.5	839	38	80	10	41	889
SU-11	110	165	28	116	400	350	300	22	12	175	25	390	75	130	20	79.5	708	75	130	20	79.5	816	55	120	16	59	885	55	120	16	59	971	42	90	12	45	981
SU-12	120	180	32	127	440	390	340	22	18	190	30	435	95	140	25	102	789	95	140	25	102	912	60	120	18	64	980	60	120	18	64	1081	48	90	14	51.5	1085
	FLANGE MOUNTING HOLLOW INPUT SHAFT												SINGLE STAGE		TWO STAGES		THREE STAGES		FOUR STAGES		FIVE STAGES																
	ØDj6	L1	J	H	E	M	ØFh8	S	N	G	K	A	ADAPTABLE FRAME SIZE Lh		ADAPTABLE FRAME SIZE Lh		ADAPTABLE FRAME SIZE Lh		ADAPTABLE FRAME SIZE Lh		ADAPTABLE FRAME SIZE Lh																
SU-01	19	30	6	21.5	85	68	55	10	4	35	10	80	56, 63, 71 & 80 160		56, 63, 71 & 80 176		56, 63, 71 & 80 192		56, 63, 71 & 80 208		56, 63, 71 & 80 224																
SU-02	24	50	8	27	120	102	80	10	4	56	10	100	63, 71, 80 & 90 224		63, 71, 80 & 90 247		63, 71, 80 & 90 270		63, 71, 80 & 90 292		63, 71, 80 & 90 315																
SU-03	28	60	8	31	140	115	95	10	8	66	10	130	71, 80, 90 & 100 240		71, 80, 90 & 100 267		63, 71, 80 & 90 292		63, 71, 80 & 90 315		63, 71, 80 & 90 337																
SU-04	32	60	10	35	150	125	100	10	8	66	12	150	71, 80, 90, 100 & 112 275		71, 80, 90, 100 & 112 312		63, 71, 80 & 90 319		63, 71, 80 & 90 342		63, 71, 80 & 90 365																
SU-05	38	80	10	41	180	150	120	12	8	87	12	180	80, 90, 100, 112 & 132 339		80, 90, 100, 112 & 132 387		71, 80, 90 & 100 397		71, 80, 90 & 100 424		63, 71, 80 & 90 438																
SU-06	50	90	14	53.5	200	165	130	14	8	97	15	215	100, 112, 132 & 160 415		100, 112, 132 & 160 484		71, 80, 90, 100 & 112 476		71, 80, 90, 100 & 112 512		63, 71, 80 & 90 519																
SU-07	60	95	18	64	230	200	170	14	8	103	15	235	112, 132 & 160 438		112, 132 & 160 510		80, 90, 100, 112 & 132 527		80, 90, 100, 112 & 132 575		71, 80, 90 & 100 585																
SU-08	70	110	20	74	250	215	180	18	8	118	15	265	132, 160 & 180 472		132, 160 & 180 552		100, 112, 132 & 160 610		100, 112, 132 & 160 678		71, 80, 90, 100 & 112 671																
SU-09	80	120	22	85	300	265	240	18	8	128	20	305	132, 160, 180 & 200 513		132, 160, 180 & 200 599		112, 132 & 160 652		112, 132 & 160 724		80, 90, 100, 112 & 132 741																
SU-10	95	140	25	102	350	305	270	18	12	150	20	335	160, 180, 200 & 225 585		160, 180, 200 & 225 686		132, 160 & 180 734		132, 160 & 180 814		100, 112, 132 & 160 873																
SU-11	110	165	28	116	400	350	300	22	12	175	25	390	180, 200, 225 & 250 648		180, 200, 225 & 250 756		132, 160, 180 & 200 808		132, 160, 180 & 200 894		112, 132 & 160 948																
SU-12	120	180	32	127	440	390	340	22	18	190	30	435	200, 225, 250 & 280 940		200, 225, 250 & 280 1063		160, 180, 200 & 225 1146		160, 180, 200 & 225 1247		132, 160 & 180 1295																

FOOT MOUNTING HOLLOW INPUT SHAFT



FOOT MOUNTING FREE (SOLID) INPUT SHAFT

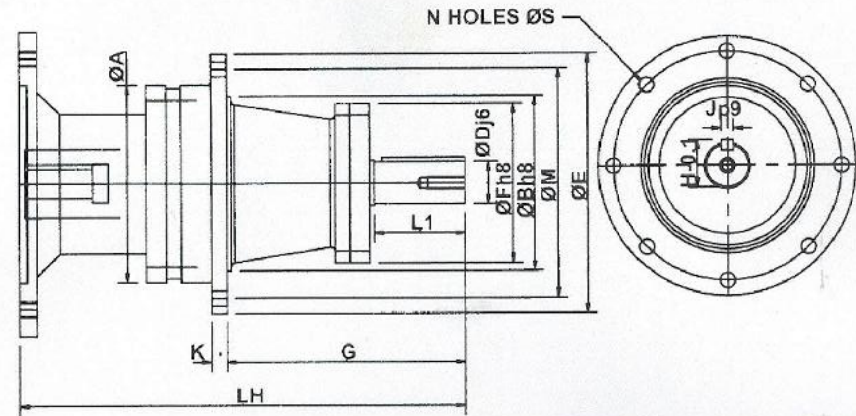


HOLLOW INPUT DIMENSIONS PLEASE SEE MOTOR MOUNTING DETAILS TABLES

MODEL	FOOT MOUNTING SOLID INPUT SHAFT														SINGLE STAGE					TWO STAGES					THREE STAGES					FOUR STAGES					FIVE STAGES				
	OUTPUT SHAFT							MOUNTING							SOLID INPUT SHAFT					SOLID INPUT SHAFT					SOLID INPUT SHAFT					SOLID INPUT SHAFT					SOLID INPUT SHAFT				
	ØDj6	L1	J	H	C	E	F	M	N	G	S	K	A	Ødj6	L2	j	h	LF	Ødj6	L2	j	h	LF	Ødj6	L2	j	h	LF	Ødj6	L2	j	h	LF	Ødj6	L2	j	h	LF	
SU-01	19	30	6	21.5	85	40	80	60	100	51	10	10	80	14	30	5	16	178	14	30	5	16	194	14	30	5	16	210	14	30	5	16	226	14	30	5	16	242	
SU-02	24	50	8	27	102	60	120	90	150	71	10	12	100	19	40	6	21.5	245	19	40	6	21.5	268	19	40	6	21.5	291	19	40	6	21.5	313	19	40	6	21.5	336	
SU-03	28	60	8	31	130	70	110	100	140	82	10	15	130	24	50	8	27	267	24	50	8	27	294	19	40	6	21.5	312	19	40	6	21.5	335	19	40	6	21.5	358	
SU-04	32	60	10	35	140	80	120	110	150	80	12	15	150	28	60	8	31	307	28	60	8	31	343	19	40	6	21.5	340	19	40	6	21.5	362	19	40	6	21.5	385	
SU-05	38	80	10	41	155	90	130	120	180	115	14	15	180	32	60	10	35	359	32	60	10	35	407	24	50	8	27	413	24	50	8	27	440	19	40	6	21.5	458	
SU-06	50	90	14	53.5	180	110	180	150	220	123	14	20	215	38	80	10	41	431	38	80	10	41	498	28	60	8	31	507	28	60	8	31	543	19	40	6	21.5	540	
SU-07	60	95	18	64	185	130	195	170	235	125	14	15	235	42	90	12	45	472	42	90	12	45	544	32	60	10	35	547	32	60	10	35	595	24	50	8	27	601	
SU-08	70	110	20	74	150	150	210	200	265	142	18	15	265	48	90	14	51.5	497	48	90	14	51.5	577	38	80	10	41	626	38	80	10	41	712	28	60	8	31	702	
SU-09	80	120	22	85	210	200	300	250	350	154	18	25	305	55	120	16	59	589	55	120	16	59	675	42	90	12	45	686	42	90	12	45	757	32	60	10	35	761	
SU-10	95	140	25	102	230	250	300	300	350	170	22	25	335	60	120	18	64	654	60	120	18	64	755	48	90	14	51.5	759	48	90	14	51.5	839	38	80	10	41	889	
SU-11	110	165	28	116	280	275	375	330	430	198	22	30	390	75	130	20	79.5	708	75	130	20	79.5	816	55	120	16	59	885	55	120	16	59	971	42	90	12	45	981	
SU-12	120	180	32	127	300	310	370	400	460	215	26	30	435	95	140	25	102	789	95	140	25	102	912	60	120	18	64	980	60	120	18	64	1081	48	90	14	51.5	1085	
MODEL	FOOT MOUNTING HOLLOW INPUT SHAFT														SINGLE STAGE		TWO STAGES		THREE STAGES		FOUR STAGES		FIVE STAGES																
	OUTPUT SHAFT							MOUNTING							ADAPTABLE FRAME SIZE		ADAPTABLE FRAME SIZE		ADAPTABLE FRAME SIZE		ADAPTABLE FRAME SIZE		ADAPTABLE FRAME SIZE																
	ØDj6	L1	J	H	C	E	F	M	N	G	S	K	A	Lh	Lh	Lh	Lh	Lh	Lh	Lh	Lh																		
SU-01	19	30	6	21.5	85	40	80	60	100	51	10	10	80	56, 63, 71 & 80	160	56, 63, 71 & 80	176	56, 63, 71 & 80	192	56, 63, 71 & 80	208	56, 63, 71 & 80	224																
SU-02	24	50	8	27	102	60	120	90	150	71	10	12	100	63, 71, 80 & 90	224	63, 71, 80 & 90	247	63, 71, 80 & 90	270	63, 71, 80 & 90	292	63, 71, 80 & 90	315																
SU-03	28	60	8	31	130	70	110	100	140	82	10	15	130	71,80,90 & 100	240	71,80,90 & 100	267	63, 71, 80 & 90	292	63, 71, 80 & 90	315	63, 71, 80 & 90	337																
SU-04	32	60	10	35	140	80	120	110	150	80	12	15	150	71,80,90, 100 & 112	275	71,80,90,100 & 112	312	63, 71, 80 & 90	319	63, 71, 80 & 90	342	63, 71, 80 & 90	365																
SU-05	38	80	10	41	155	90	130	120	180	115	14	15	180	80,90,100,112 & 132	339	80,90,100,112 & 132	387	71, 80, 90 & 100	397	71, 80, 90 & 100	424	63, 71, 80 & 90	438																
SU-06	50	90	14	53.5	180	110	180	150	220	123	14	20	215	100,112,132 & 160	415	100,112, 132 & 160	484	71,80, 90,100 & 112	476	71, 80, 90,100 & 112	512	63, 71, 80 & 90	519																
SU-07	60	95	18	64	185	130	195	170	235	125	14	15	235	112, 132 & 160	438	112,132 & 160	510	80,90,100,112 & 132	527	80, 90,100,112 & 132	575	71, 80, 90 & 100	585																
SU-08	70	110	20	74	150	150	210	200	265	142	18	15	265	132, 160 & 180	472	132,160 & 180	552	100, 112, 132 & 160	610	100,112, 132 & 160	678	71, 80, 90,100 & 112	671																
SU-09	80	120	22	85	210	200	300	250	350	154	18	25	305	132, 160, 180 & 200	513	132,160,180 & 200	599	112, 132 & 160	652	112,132 & 160	724	80,90, 100,112 & 132	741																
SU-10	95	140	25	102	230	250	300	300	350	170	22	25	335	160, 180, 200 & 225	585	160,180,200 & 225	686	132, 160 & 180	734	132,160 & 180	814	100, 112,132 & 160	873																
SU-11	110	165	28	116	280	275	375	330	430	198	22	30	390	180, 200, 225 & 250	648	180,200,225 & 250	756	132, 160, 180 & 200	808	132,160, 180 & 200	894	112, 132 & 160	948																
SU-12	120	180	32	127	300	310	370	400	460	215	26	30	435	200, 225, 250 & 280	940	200,225,250 & 280	1063	160, 180, 200 & 225	1146	160,180, 200 & 225	1247	132, 160 & 180	1295																

AGITATOR MOUNTING HOLLOW INPUT SHAFT

HOLLOW INPUT
DIMENSIONS
PLEASE
SEE MOTOR
MOUNTING
DETAILS
TABLES



MODEL	AGITATOR MOUNTING SOLID INPUT SHAFT													SINGLE STAGE		TWO STAGES		THREE STAGES		FOUR STAGES		FIVE STAGES	
	OUTPUT SHAFT						MOUNTING							ADAPTABLE FRAME SIZE	Lh	ADAPTABLE FRAME SIZE	Lh	ADAPTABLE FRAME SIZE	Lh	ADAPTABLE FRAME SIZE	Lh	ADAPTABLE FRAME SIZE	Lh
	ØDj6	L1	J	H	E	M	ØFh8	ØBh	8G	S	N	K	A										
SU-02	24	50	8	27	140	120	95	83	137	10	4	10	100	63, 71, 80 & 90	275	63, 71, 80 & 90	298	63, 71, 80 & 90	320	63, 71, 80 & 90	342	63, 71, 80 & 90	365
SU-03	28	60	8	31	170	150	115	105	158	10	8	10	130	71,80,90 & 100	295	71,80,90 & 100	322	63, 71, 80 & 90	347	63, 71, 80 & 90	370	63, 71, 80 & 90	392
SU-04	32	60	10	35	200	175	120	115	189	10	8	12	150	71,80,90, 100 & 112	325	71,80,90, 100 & 112	362	63, 71, 80 & 90	369	63, 71, 80 & 90	392	63, 71, 80 & 90	415
SU-05	38	80	10	41	240	210	130	120	242	14	8	14	180	80,90,100,112 & 132	441	80,90,100,112 & 132	489	71, 80,90 & 100	499	71, 80, 90 & 100	526	63, 71, 80 & 90	540
SU-06	50	90	14	53.5	285	255	170	165	280	14	8	15	215	100, 112, 132 & 160	534	100, 112, 132 & 160	603	71, 80,90,100 & 112	595	71, 80, 90,100 & 112	631	63, 71, 80 & 90	638
SU-07	55	95	16	59	315	275	190	165	325	14	8	15	235	112, 132 & 160	584	112, 132 & 160	655	80, 90,100,112 & 132	672	80, 90, 100,112 & 132	720	71,80,90 & 100	730
SU-08	65	110	18	70.5	345	305	215	170	346	18	8	18	265	132, 160 & 180	622	132, 160 & 180	702	100,112, 132 & 160	760	100, 112, 132 & 160	828	71, 80, 90, 100 & 112	821
SU-09	70	120	20	74.5	425	370	250	180	407	18	8	18	305	132, 160, 180 & 200	708	132, 160, 180 & 200	794	112, 132 & 160	848	112, 132 & 160	919	80,90, 100, 112 & 132	936
SU-10	80	140	22	85	430	380	280	210	453	18	12	20	335	160, 180, 200 & 225	797	160, 180, 200 & 225	898	132,160 & 180	946	132, 160 & 180	1026	100, 112, 132 & 160	1085
SU-11	100	165	28	106	485	435	320	250	500	18	12	20	390	180, 200, 225 & 250	865	180, 200, 225 & 250	973	132,160, 180 & 200	1025	132, 160, 180 & 200	1111	112, 132 & 160	1165
SU-12	115	180	32	122	580	520	460	265	543	26	18	22	435	200, 225, 250 & 280	940	200, 225, 250 & 280	1063	160,180, 200 & 225	1146	160, 180, 200 & 225	1247	132, 160 & 180	1295